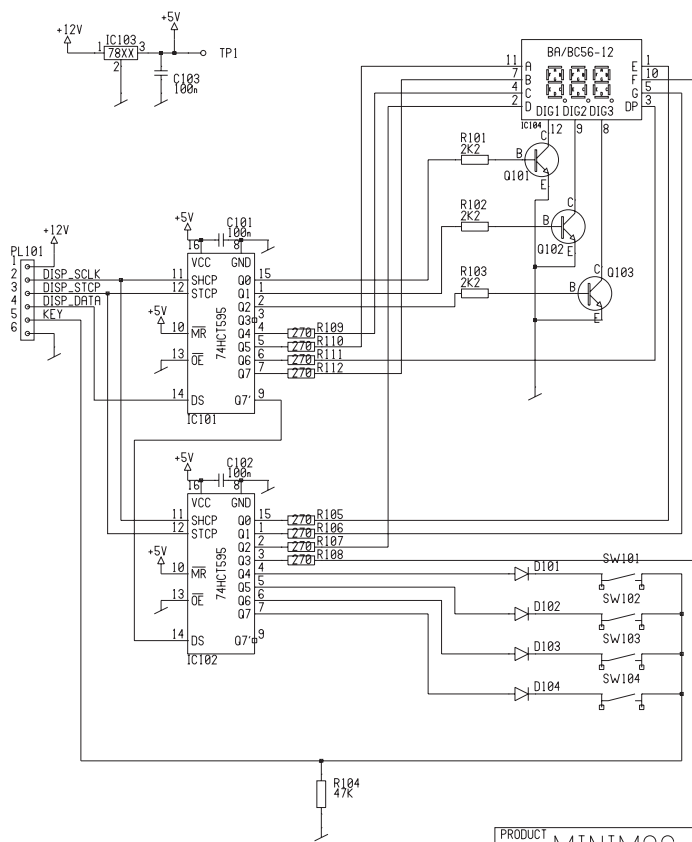
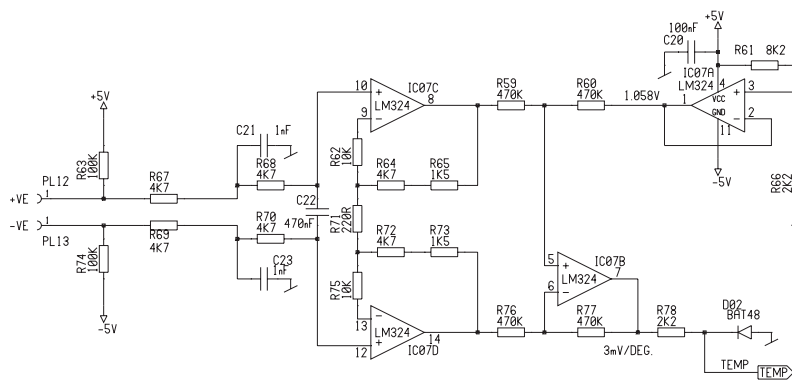


PRODUCT		MAGNUM HAZER		ENG: MARTIN MANUFACTURING (UK) PLC	
NAME		MH_PWR.SCH		REVISION A	PAGE 1 OF 1
				DRAWN BY NJS	
				DATE 29/8/2	TIME 9:57

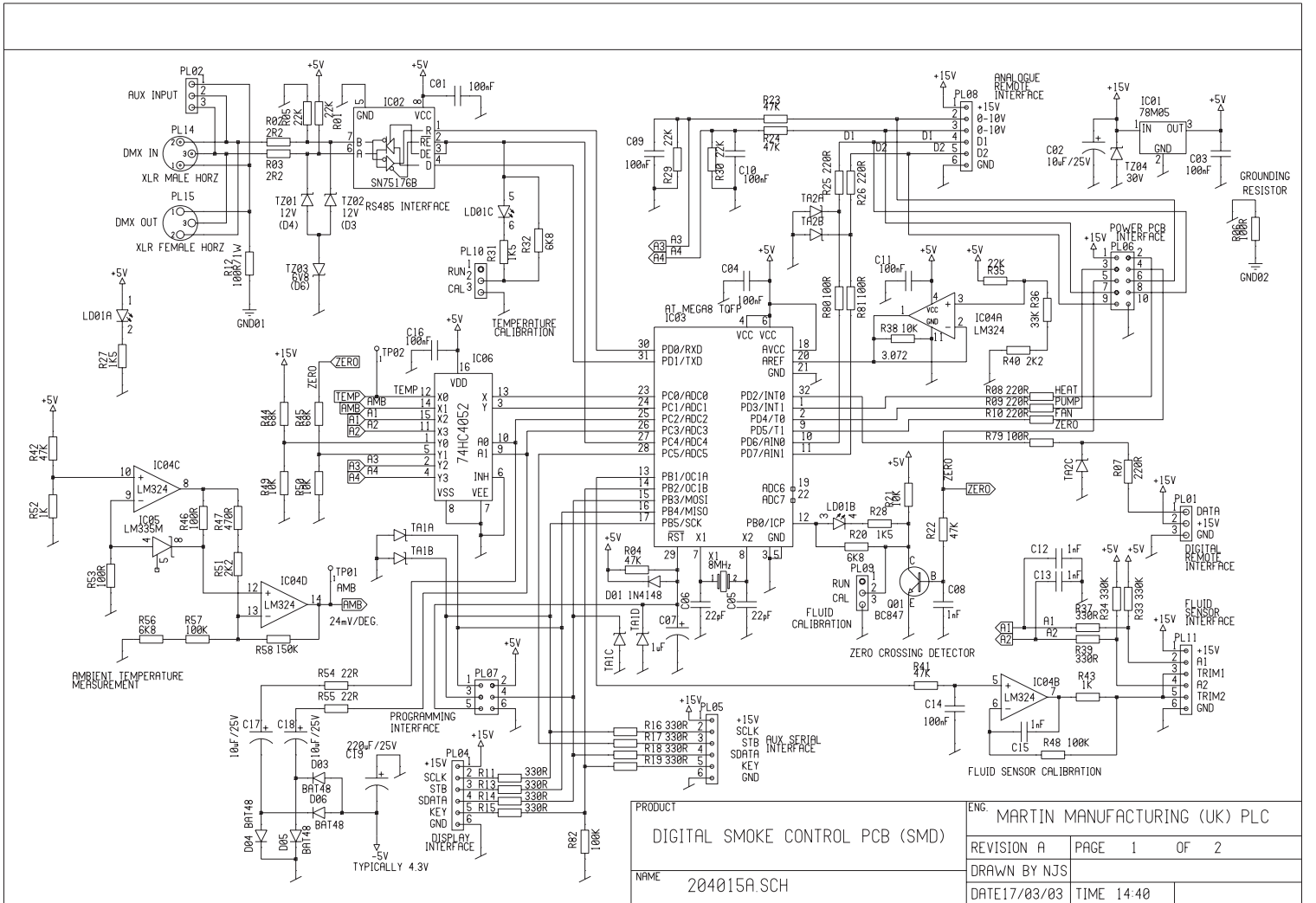


PRODUCT		ENG	
MINIMAC DISPLAY PCB		Martin Professional A/S	
REVISION A0	PAGE 1	OF 1	
NAME	DRAWN BY BH		
62000058 - 62090071 - 01002503	DATE 30/11/99	TIME 10:39	



THERMOCOUPLE AMPLIFIER

PRODUCT		ENG. MARTIN MANUFACTURING (UK) PLC	
DIGITAL SMOKE CONTROL PCB (SMD)		REVISION A	PAGE 2 OF 2
NAME		DRAWN BY NJS	
204015A.SCH		DATE 17/03/03	TIME 14:42



PRODUCT
DIGITAL SMOKE CONTROL PCB (SMD)

NAME
204015A SCH

ENG. MARTIN MANUFACTURING (UK) PLC

REVISION A	PAGE 1	OF 2
DRAWN BY NJS		
DATE 17/03/03	TIME 14:40	